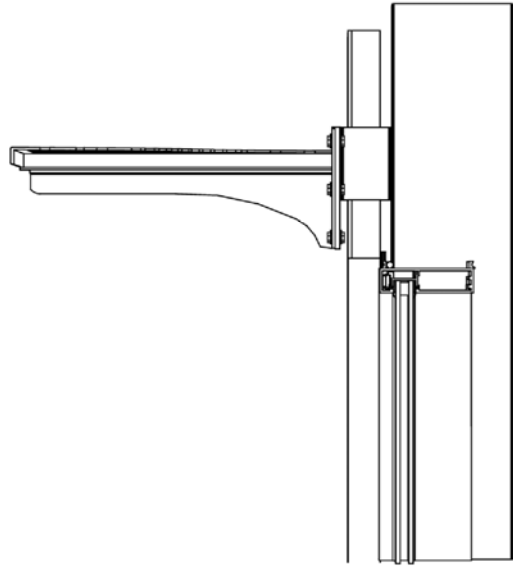


PLAN



SECTION



ISOMETRIC RENDERING

HENDRICK MANUFACTURING  
BRACKET ON STEEL TUBE  
AWNING TYPE PIANA