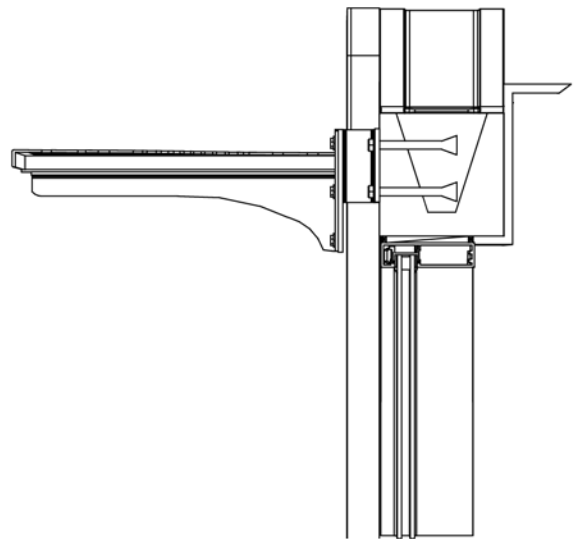
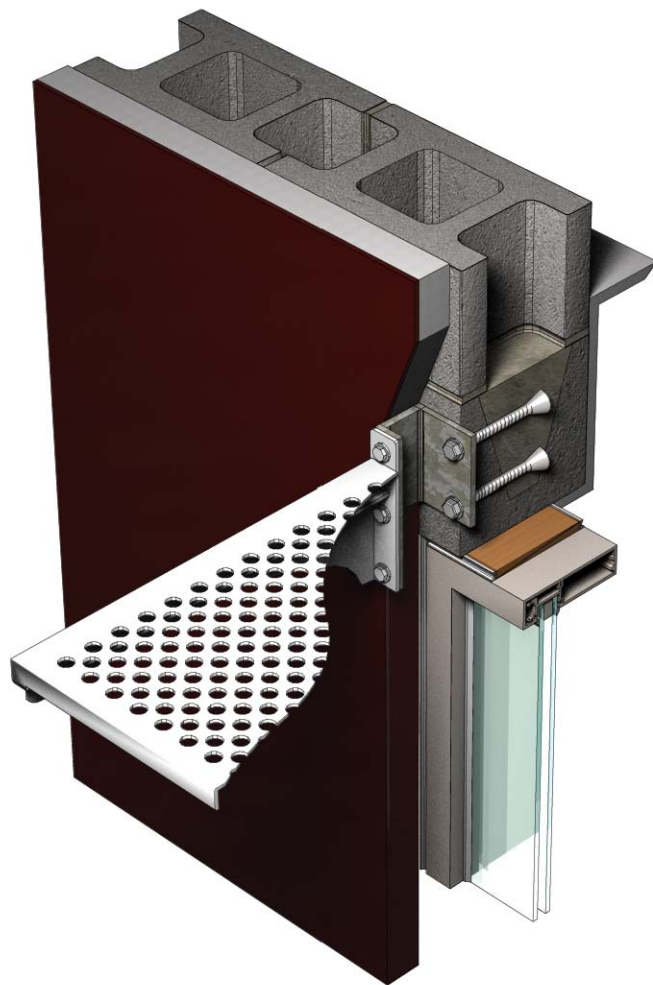


PLAN



SECTION



ISOMETRIC RENDERING

HENDRICK MANUFACTURING  
BRACKET ON LINTEL  
AWNING TYPE PIANA