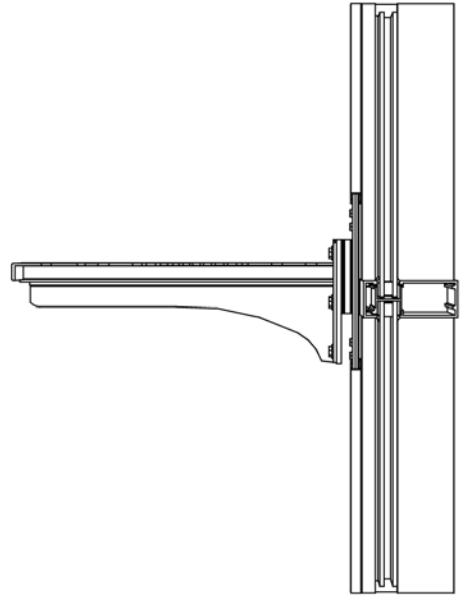


PLAN



SECTION



ISOMETRIC RENDERING

HENDRICK MANUFACTURING
BRACKET ON CURTAIN WALL
AWNING TYPE PIANA