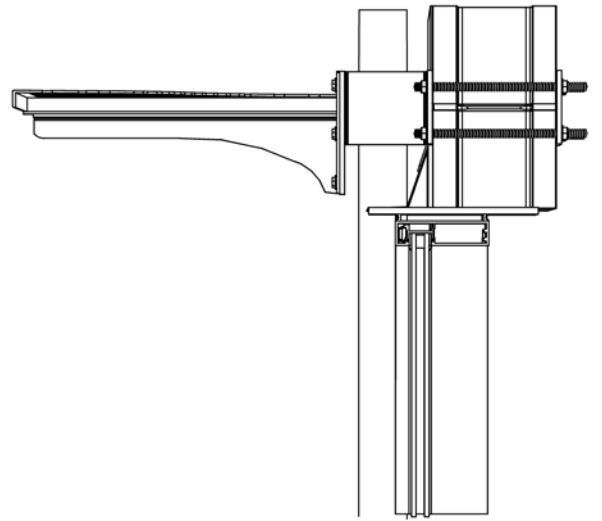
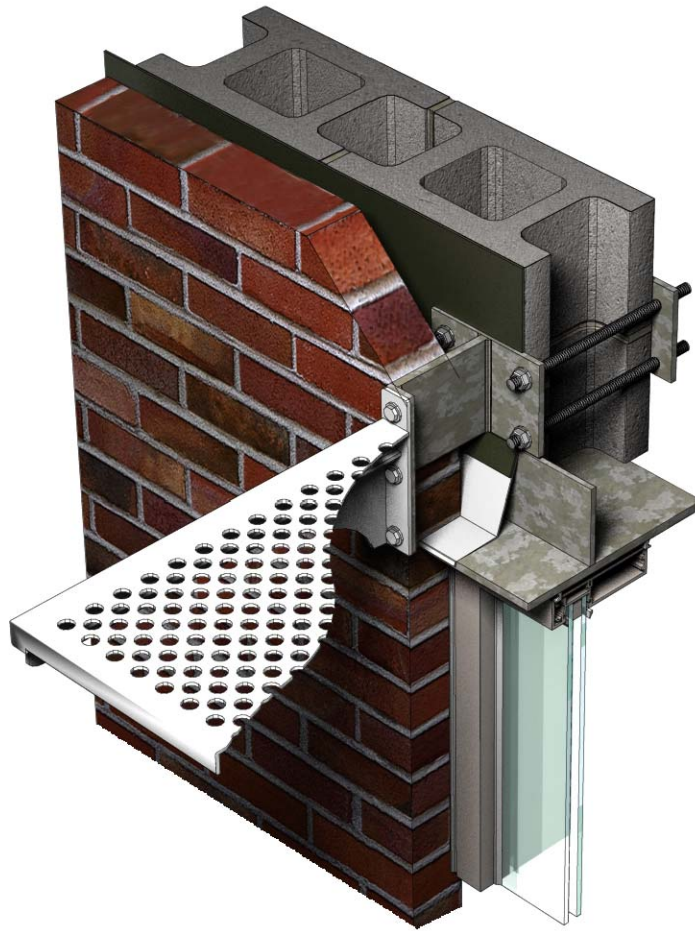


PLAN



SECTION



ISOMETRIC RENDERING

HENDRICK MANUFACTURING
BRACKET ON BLOCK
AWNING TYPE PIANA