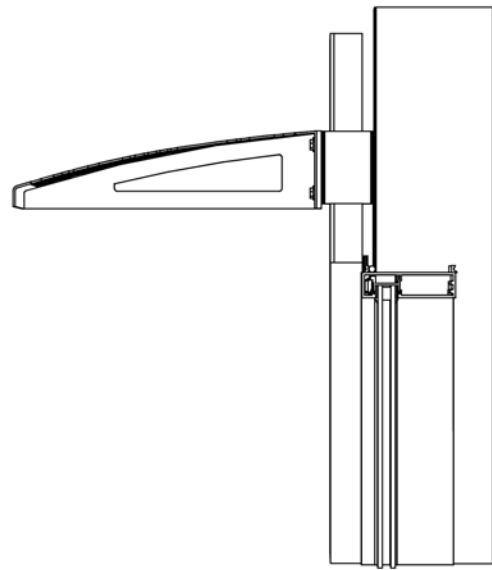
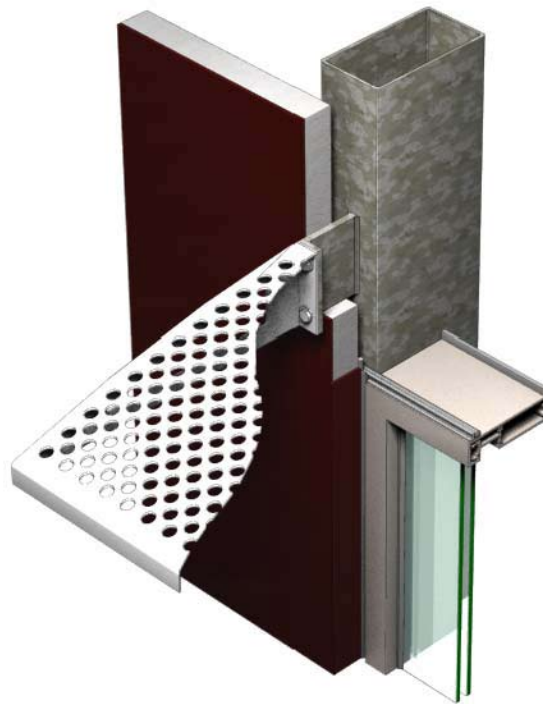


PLAN



SECTION



ISOMETRIC RENDERING

HENDRICK MANUFACTURING
BRACKET ON STEEL TUBE
AWNING TYPE CORVO